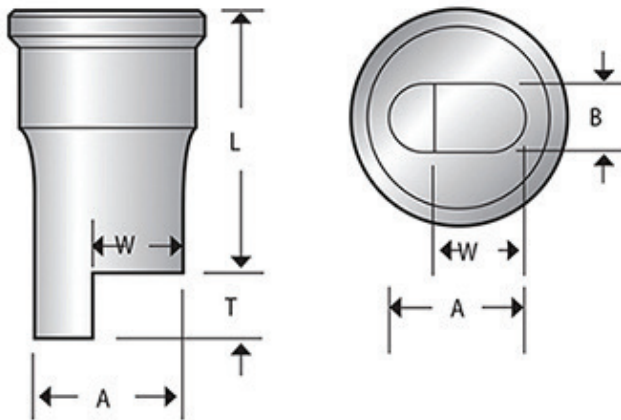
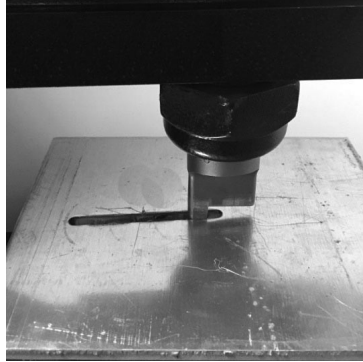




Ripping Punch and Die Set



Machine Make	Machine Model	Punch Style	A	W	T	L	Die Style	A	W	B

Customer Name	Contact Name	Phone Number or Email