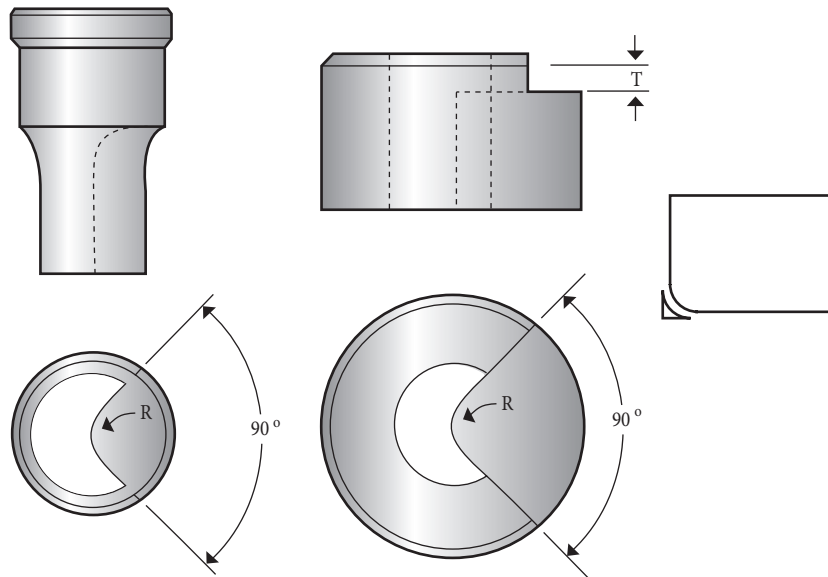
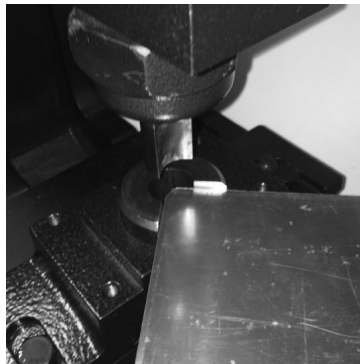




## Corner Rounding Punch and Die Set



Machine Make	Machine Model	Punch Style	Die Style	Radius Required (R)	Thickness of material (T)
Customer Name		Contact Name		Phone Number or Email	