

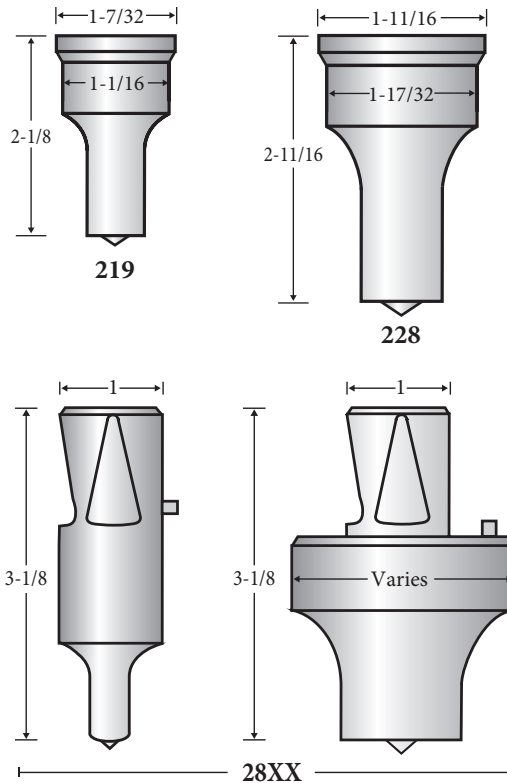


# Piranha™ Ironworkers

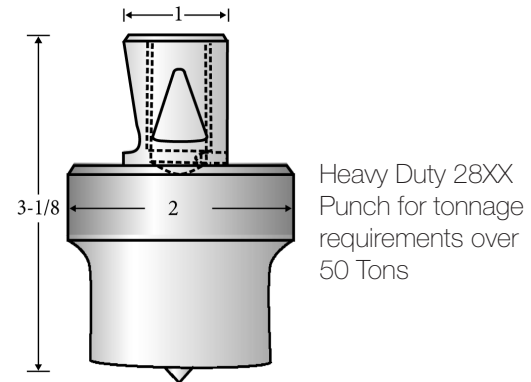
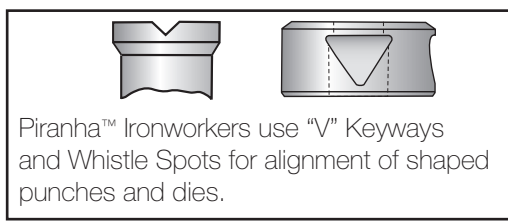
Model	Punch	Die
P-2	219	413
P-3	219	413
P-36	219	413
P-4	228	419
P-40	219	413
P-50	219	413
P-65	219	413
P-70	228	419
P-90	228	419
P-120	228	419
PII-35	219	413
PII-65	219	413
PII-88	228	419
PII-110	228	419
PII-140	228	419
SEPP-35	219	413
SEPP-65	228	419
SEPP-88	228	419
SEPP-120	228	419
SEPP-140	228	419

**Note:** Piranha™ Ironworkers use Punch Style 228 and 28XX and Die Style 419 and 28XX for Oversize Hole Punching.

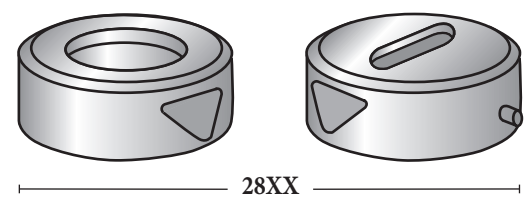
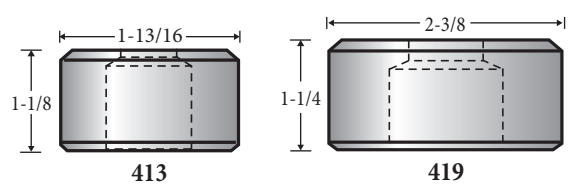
## PUNCHES



See page 14 for more information on 28XX punches



## DIES



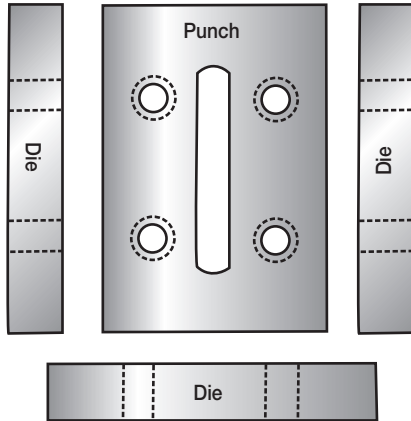
See page 14 for more information on 28XX dies.

Piranha™

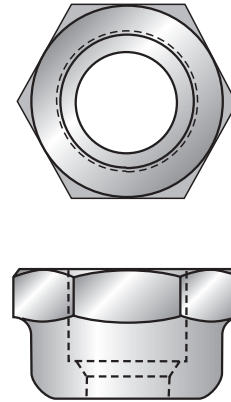
# Piranha™ Ironworkers

## MISCELLANEOUS TOOLING

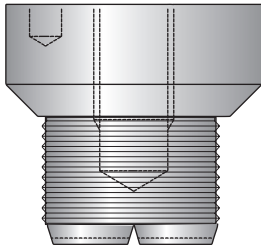
**Coper Notcher**



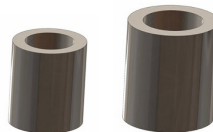
**Coupling Nut**



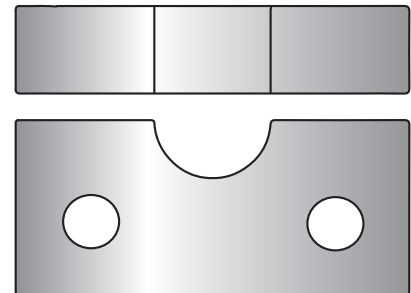
**Punch Stem**



**Urethane Stripper**

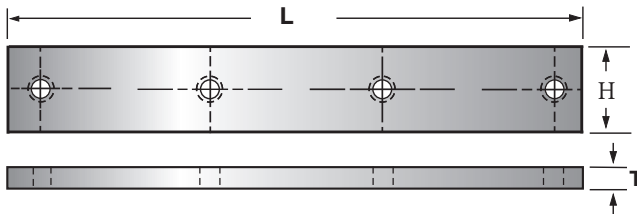


**Bar Cutter Knife**



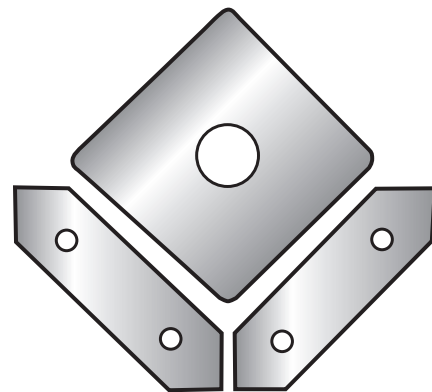
## SHEAR BLADES

**Flat Bar Shear Blades**



Reversible with four (4) cutting edges.  
Two (2) required.

**Angle Shear Blades**



Reversible with (2) cutting edges.

Piranha™