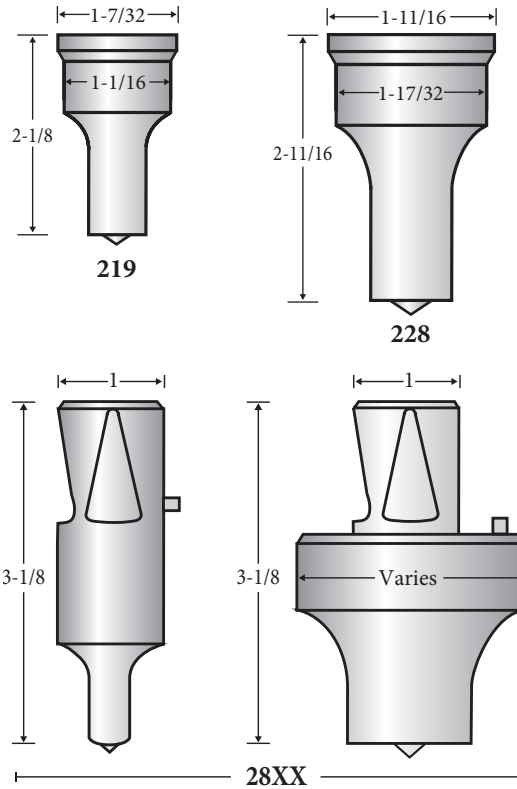


# Clausing™/Metal Muncher™ Ironworkers

Model	Punch	Die
DP50	219	417
DP50/110	228	419
GB35	219	417
GB40	219	417
GB50	219	417
GB70	228	419
GB70-18	228	419
GB100	228	419
GB100-18	228	419
GB135	228	419
GB135-18	228	419
MM35	219	417
MM40	219	417
MM49	219	417
MM61	219	417
MM70	228	419
MM70-18	228	419
MM100	228	419
MM100-18	228	419
MM135	228	419
MM135-18	228	419

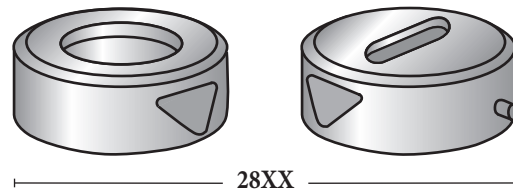
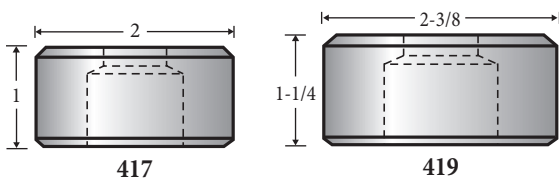
**Note:** Clausing™/Metal Muncher™ Ironworkers use 28XX Punches and Dies for Oversize Hole Punching.

## PUNCHES



See page 14 for more information on 28XX punches.

## DIES



See page 14 for more information on 28XX dies.

## SHEAR BLADES

Flat Bar, Angle, Coper or Angle Notcher, Bar Cutter and all other Shear Blades are available.

