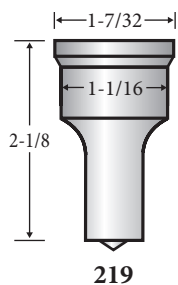


# Cleveland Steel Tool™ Ironworkers

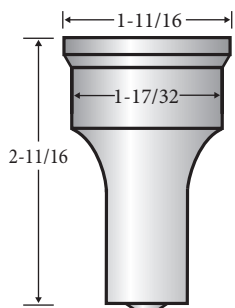
Model	Punch	Die
All Models	219	413

**Note:** Cleveland Steel Tool™ Ironworkers use Punch Style 228 or 241 or die Style 419 or 28XX for Oversize Hole Punching.

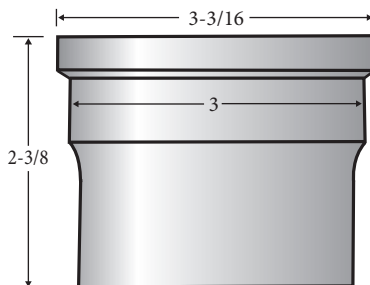
## PUNCHES



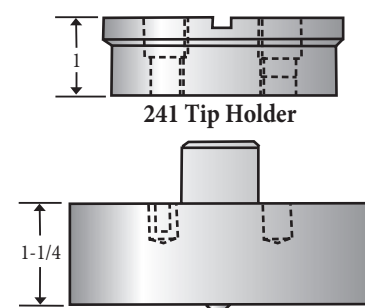
219



228



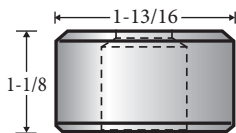
241



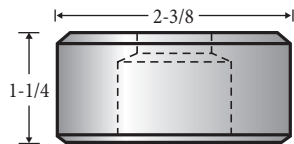
241 Tip Holder

241 Punch Tip  
Available up to 4-1/2"

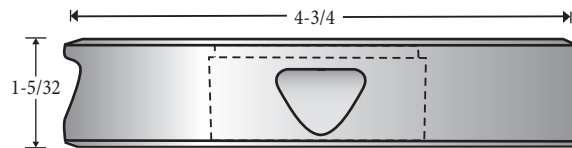
## DIES



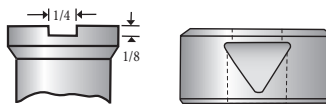
413



419



28XX

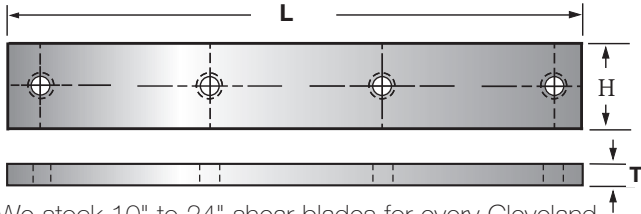


Cleveland Steel Tool Ironworkers use 1/4" x 1/8" Keyways and Whistle Spots for alignment of shaped punches and dies.

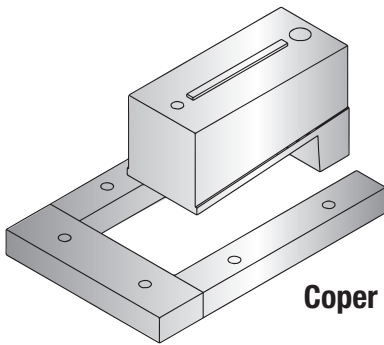


# Cleveland Steel Tool™ Ironworkers

## FLAT BAR SHEAR BLADES

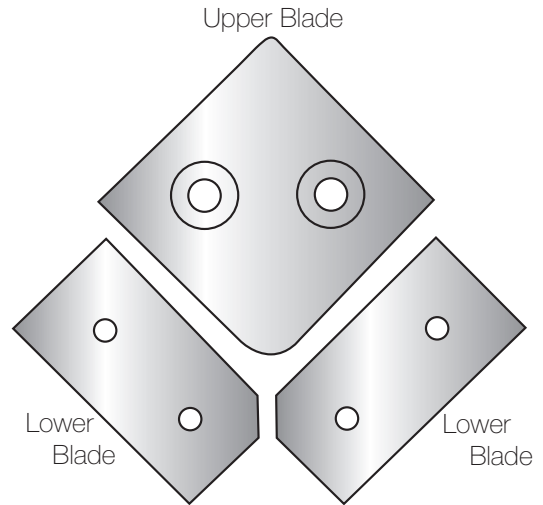


We stock 10" to 24" shear blades for every Cleveland Steel Tool Ironworker. Each blade is reversible with 4 cutting edges. 2 blades required per set.



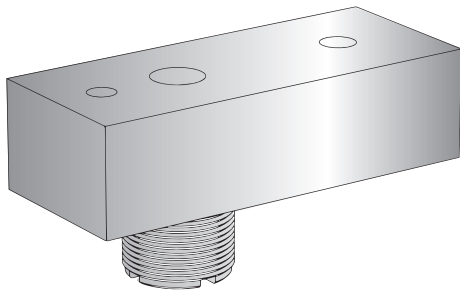
**Coper Notcher Blades**

## ANGLE SHEAR BLADES

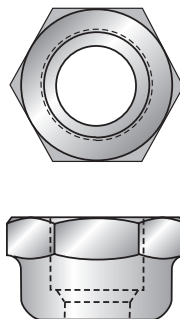


Upper blade is reversible with 2 cutting edges and 2 radii for large and small angles.

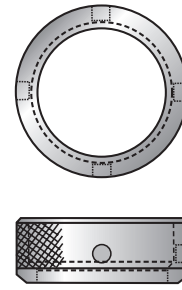
## PUNCH STEMS AND COUPLING NUTS



**Punch Stem**

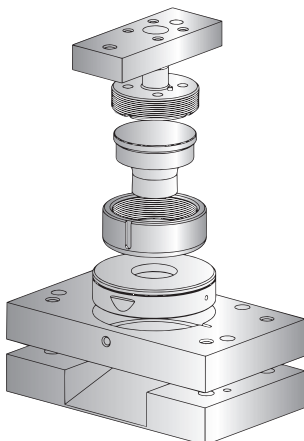


**Coupling Nut**

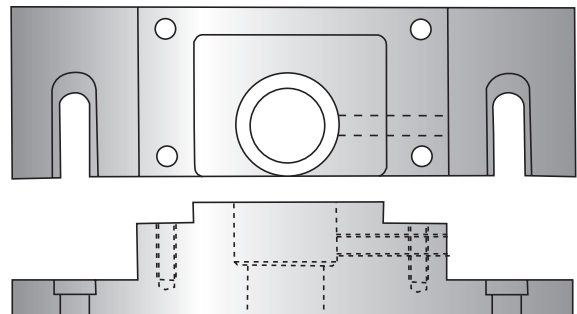


**Spanner Nut**

## 241 OVERSIZE ATTACHMENT



## PEDESTAL DIE HOLDER



Also available with gauge table.

Cleveland Steel Tool™