

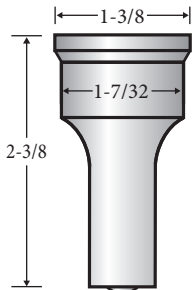


Spartan™/Brobo™ Ironworkers

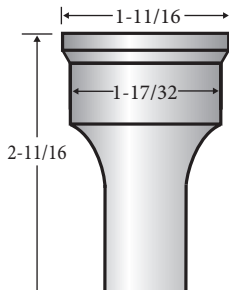
Model	Punch	Die
IW50	221	413
IW50S	221	413
IW66D	221	413
IW66S	221	413
IW88D	221	413
IW94/120D	228	419
IW110D/2	228	419
IW135D	228	419
IW180DX	228	419

Note: Spartan™/Brobo™ Ironworkers use Punch Styles 228 or 51mm - 100mm and Die Style 419 or 80mm - 250mm for Oversize Hole Punching.

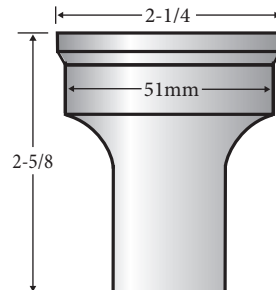
PUNCHES



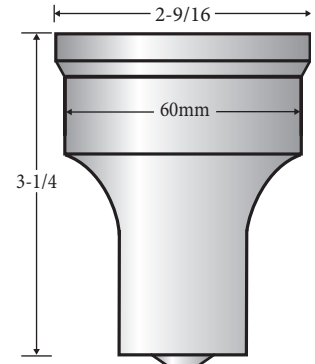
221



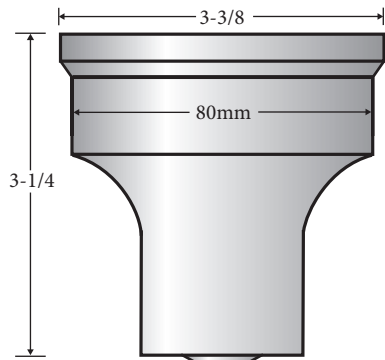
228



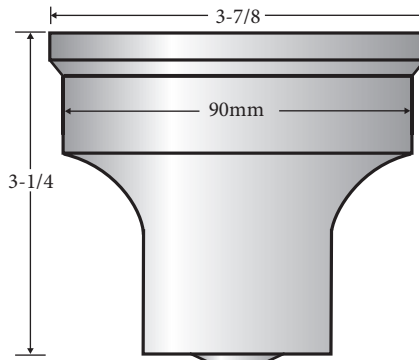
51mm



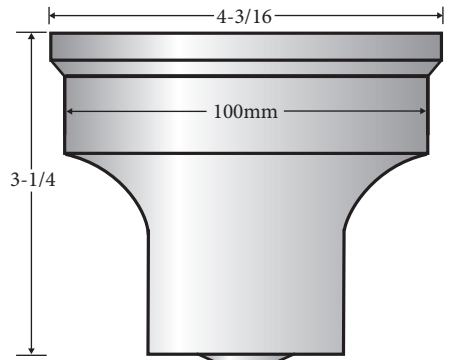
60mm



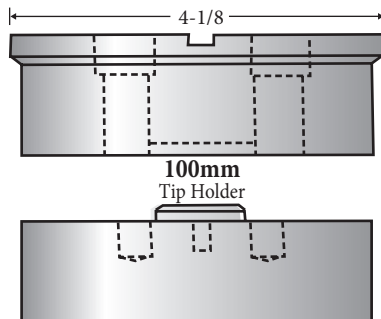
80mm



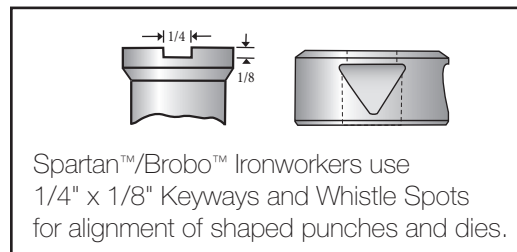
90mm



100mm



100mm Punch Tip Available up to 8"

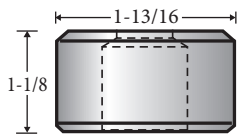


Spartan™/Brobo™ Ironworkers use 1/4" x 1/8" Keyways and Whistle Spots for alignment of shaped punches and dies.

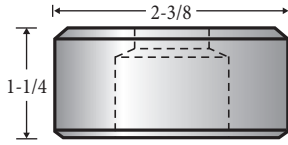
Spartan™/Brobo™

Spartan™ / Brobo™ Ironworkers

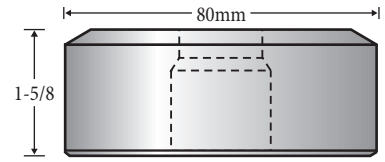
DIES



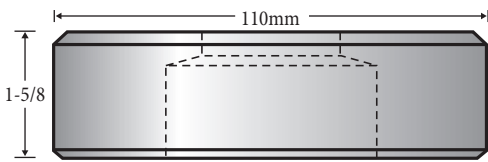
413



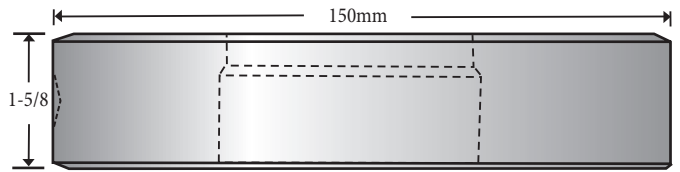
419



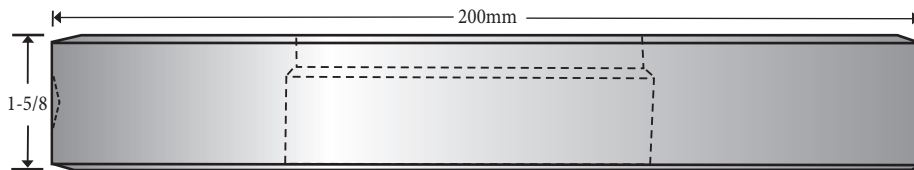
80mm



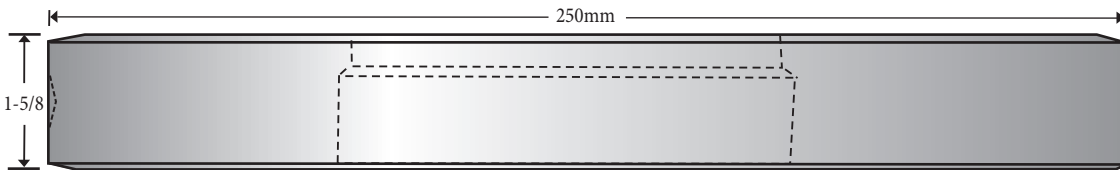
110mm



150mm



200mm



250mm

SHEAR BLADES

We manufacture Shear Blades for all types of Ironworkers and can custom manufacture to your specifications.

