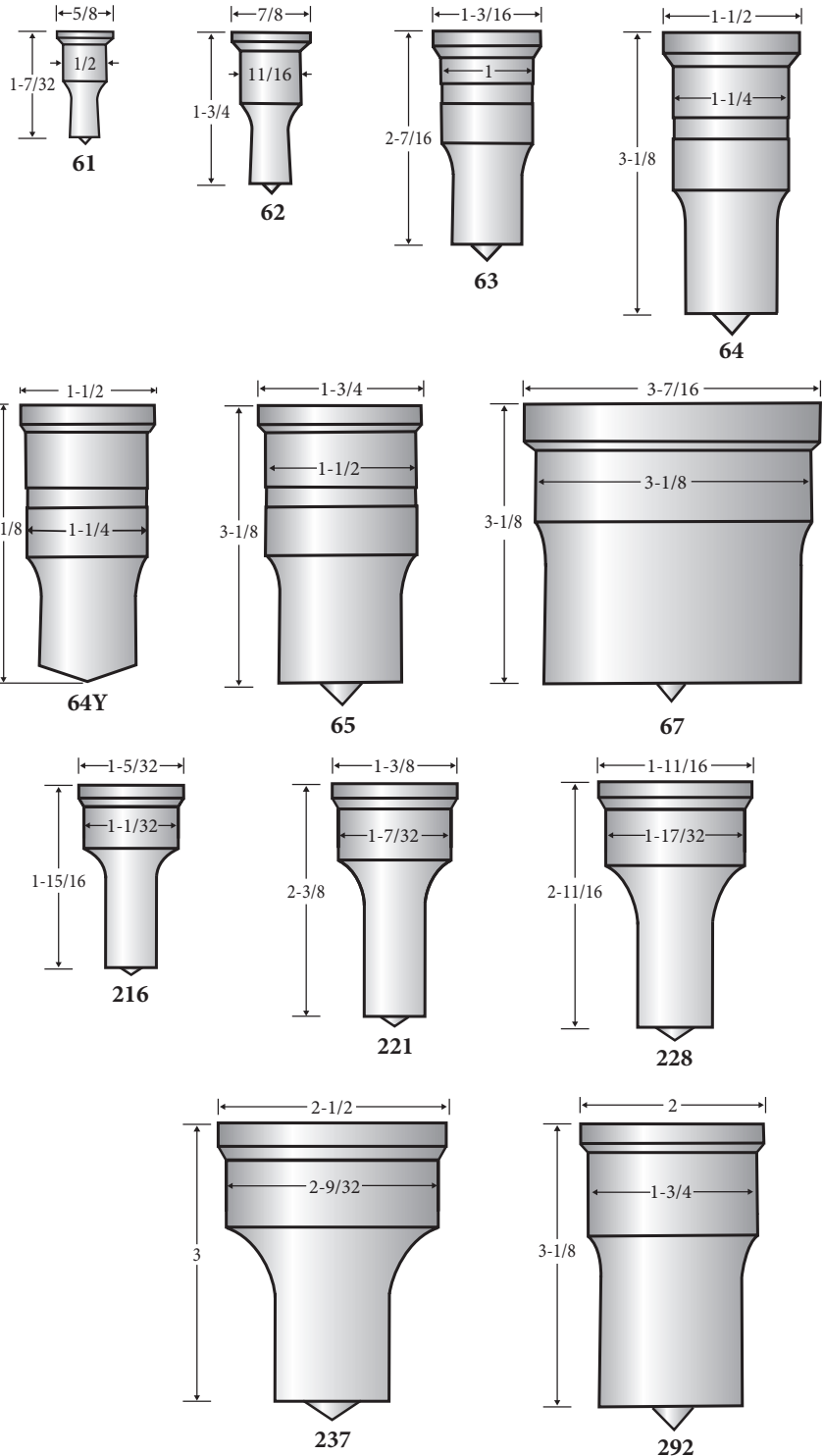


Peddinghaus™ Machines

Model	Punch	Die
31/44	216	413
44/66H	216	413
66/88	216	413
66/110H	216	413
88/120	216	413
88/140	221	417
110/140	221	417
110/175/H	221	417
120/185	221	417
210/11	216	413
210/13	216	413
210/16	221	417
210/20	221	417
210/25	228	419
225/11	216	413
225/13	216	413
225/16	221	417
225/20	221	417
225/25	228	419
225B100	221	417
225B130	228	419
225B45	216	413
225B60	216	413
225B80	221	417
360H	216	413
400H	216	413
440	216	413
450m	216	413
550	216	413
660	216	413
880	216	413
881	221	417
1050	221	417
2000CNC	64	47
7130 Duplicator	64	47
Anglemaster	64Y	47/45
AFCPS-833	64	47
Anglemaster	64Y	47/45
Anglemaster 623	64	47
Anglemaster 643	64	47
Anglemaster 645	64	47
Anglemaster 823	64	47
Anglemaster 823B	65	291
Anglemaster 1563	64	47
Anglemaster 2063	64	47
Beam Fabricator	65	47F
BPL1000/5	64	47
Bradley 500	221	417
Bradley 700	221	417
Bradley 1100	221	417
Fabripunch 118	64	47

Peddinghaus™

PUNCHES



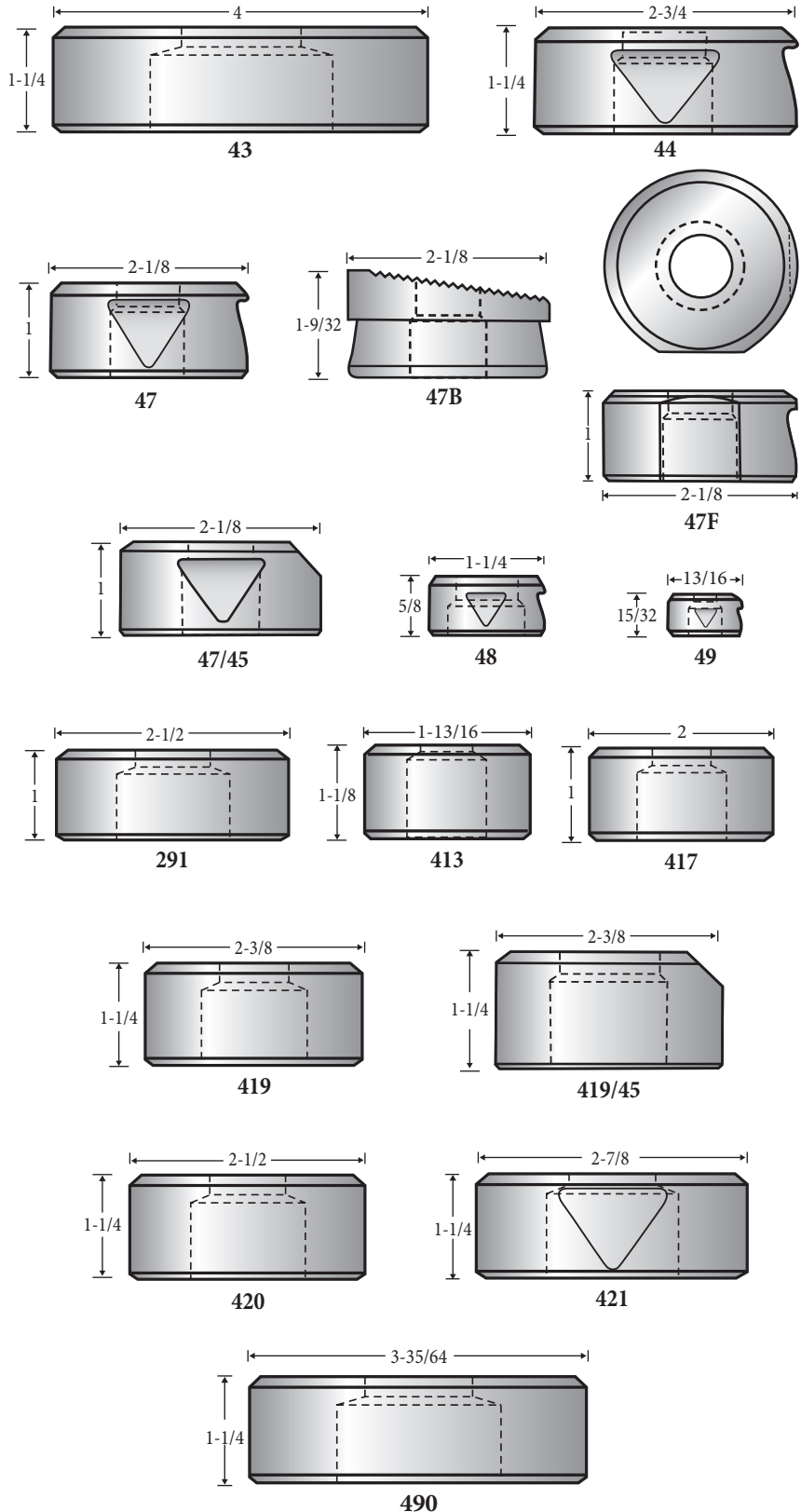
Keyways and whistle spots are recommended for alignment of shaped punches and dies. When ordering, specify the width and depth of the keyway required.



Peddinghaus™ Machines

Model	Punch	Die
Fabripunch 120	64	47
Fabripunch 500/3	64	47
Fabripunch 600/3	64	47
Fabripunch 1120	64	47
Fabripunch 1154	64	47
Fabripunch 1154-30	64	47
Fabripunch 1170	64	47
Fabripunch 1500/3	64	47
Fabripunch 1800/3	64	47
Forax 25E	216	413
Forax 45	216	413
Forax 65	216	413
Forax 80	221	417
Forax 100	221	417
G1100	221	417
H40	216	413
H60N	216	413
H100	221	417
H1000	221	417
H1000GA	221	417
H1100	221	417
H1400	228	419
H1400	228	419
Ocean Clipper	64	47
Portable FP6	61	49
Portable FP12	62	48
Portable FP20	62	48
Portable FP20-4	62	48
Portable FP20-6	62	48
Portable FP35	63	47
Portable FP35-8	63	47
Portable FP35CC	63	48
Portable FP45	64	47
Portable FP60	64	47
Portable FP80	64	47
Portable FP80-9	64	47
Portable FP100	64	47
Portable FP100-12	64	47
Portable FP140-12-1/2	67	44
Portable FP140-6-1/4	67	44
Portable FP250-12-1/2	67	43
Portable Stationary	140	292
Portable WP20	62	48
Portable WP35	63	48
Portable WP60	64	47
Portable WP80	64	47
Portable WP100	64	47
Portable WP100-18	64	47
Portable WP100-25	64	47
Portable WP140	292	291

DIES

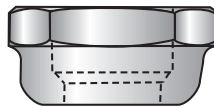
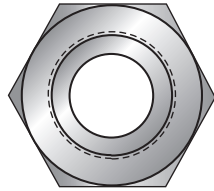


Peddinghaus™

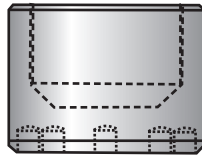
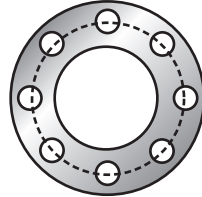
Note: Peddinghaus™ Machines use Punch Style 65, 67, 237 or 292 and Die Style 43, 44, 291, 420, 421 or 490 for Oversize Punching.

Peddinghaus™ Machines

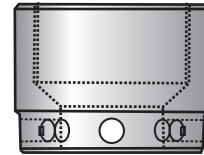
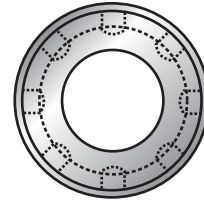
COUPLING NUTS



FC-228
Hex Nut

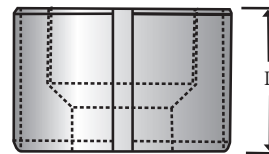
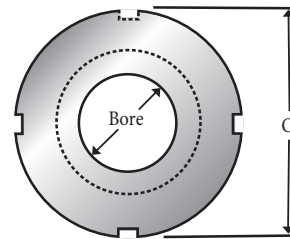


Spanner Nut



Spanner Nut

Spanner Nut	Thread	Bore	Hex	Punch
FC-61	12, 7/8"	1/2"	1-1/2"	61
FC-62	14, 1"	11/16"	1-3/16"	62
FC-63	12", 1-3/8"	1"	1-15/16"	63
FC-64	12, 1-7/8"	1-1/4"	2-3/4"	64
FC-65	12, 1-7/8"	1-1/2"	2-3/4"	65



FC-61, FC-62, F-63
FC-64, FC-65

Spanner Nut

SHEAR BLADES

Flat Bar, Angle, Coper or Angle Notcher, Bar Cutter and all other Shear Blades are available.

