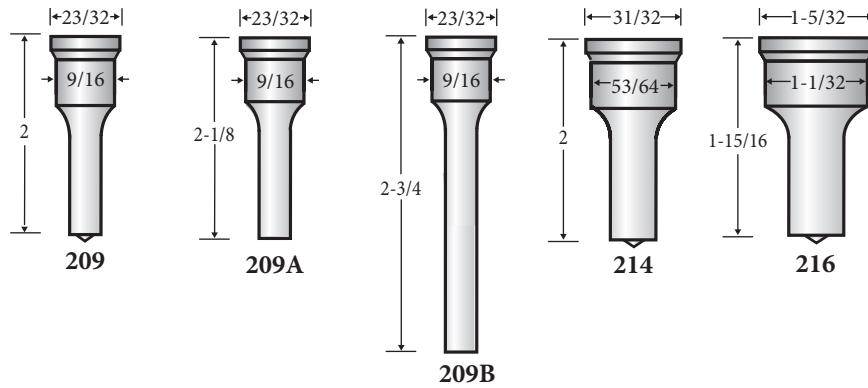
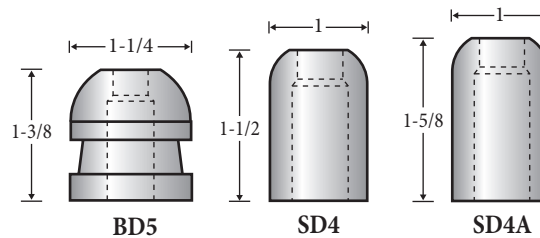


# Metal Culvert Tooling

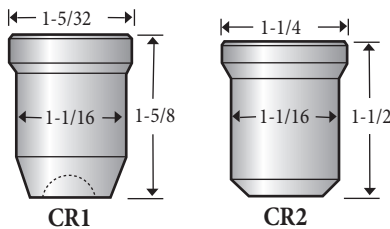
## PUNCHES



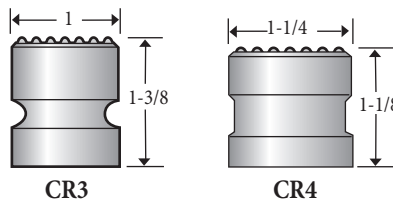
## DIES



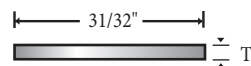
## UPPER RIVET



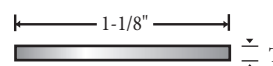
## LOWER RIVET



## FILLER BLOCKS



Available in thicknesses of  $1/32$ ,  $1/16$ ,  $1/8$  and  $1/4$ "



Available in thicknesses of  $1/32$ ,  $1/16$ ,  $1/8$ ,  $1/4$  and  $5/16$ "