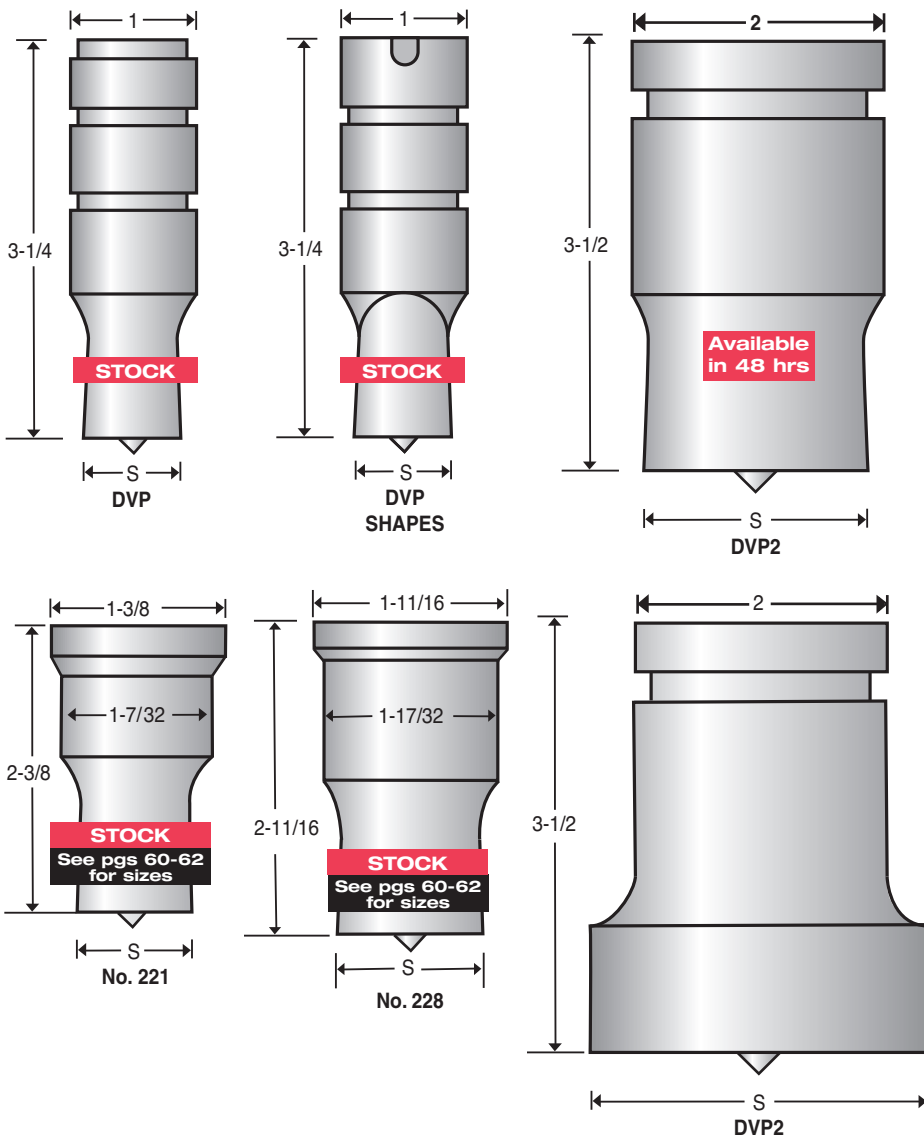


All stock items are available for **immediate shipment.**

Non-stock sizes of a round, oblong, square, hexagonal and rectangular shape of standard tooling will be **shipped within 48 hours.**

Model	Uses Punch	Uses Die
207, 314, 314C6, 314T, 424 4014C, 4014CM, 4014T, 4060B, 5014 PRO FAB 45	DVP	DVD
2450, 5024, 5075, 6012, 6509 7012, 7575, 9012, 9075, 12012 9012, 9075, 12012 FI-5009, FI-5109, FI-6008, FI-8507 DO-70, DO-100	NO. 221	No. 417
Oversize Combinations to 1-1/2" over 1-1/2"	No. 228 DVP2	No. 420 DVD2 No. 422 6.5 x 6.5

## Punches



### Stock Punch Sizes

ROUND PUNCHES		OBLONG PUNCHES	
SIZE	DVP	SIZE	DVP
1/4	●	9/16 X 1	●
9/32	●	11/16 X 1	●
5/16	●	13/16 X 1	●
11/32	●		
3/8	●		
13/32	●		
7/16	●		
15/32	●		
1/2	●		
17/32	●		
9/16	●		
19/32	●		
5/8	●		
21/32	●		
11/16	●		
23/32	●		
3/4	●		
25/32	●		
13/16	●		
27/32	●		
7/8	●		
29/32	●		
15/16	●		
31/32	●		
1	●		

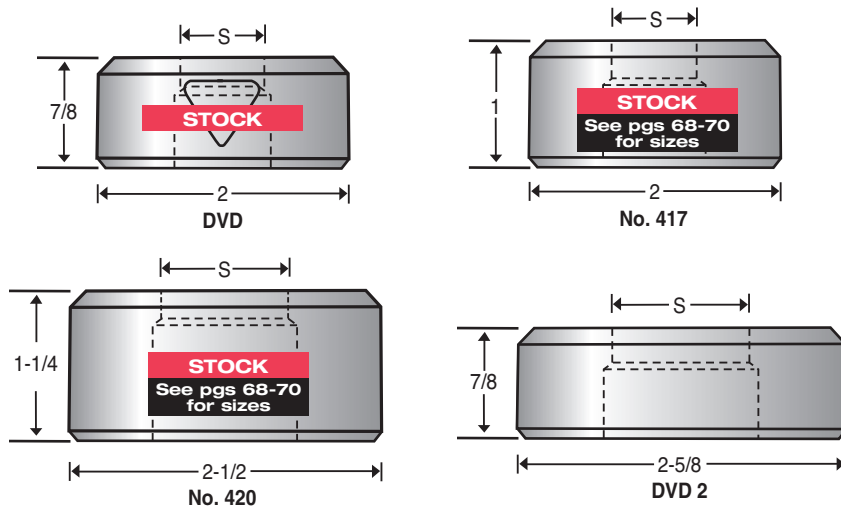
(Continued on next page)

All stock items are available for **immediate shipment.**

Non-stock sizes of a round, oblong, square, hexagonal and rectangular shape of standard tooling will be **shipped within 48 hours.**

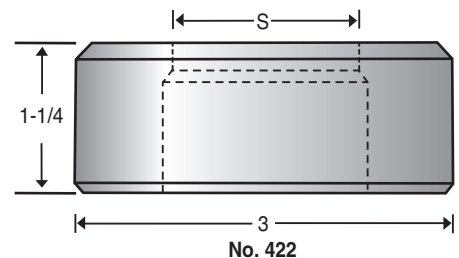
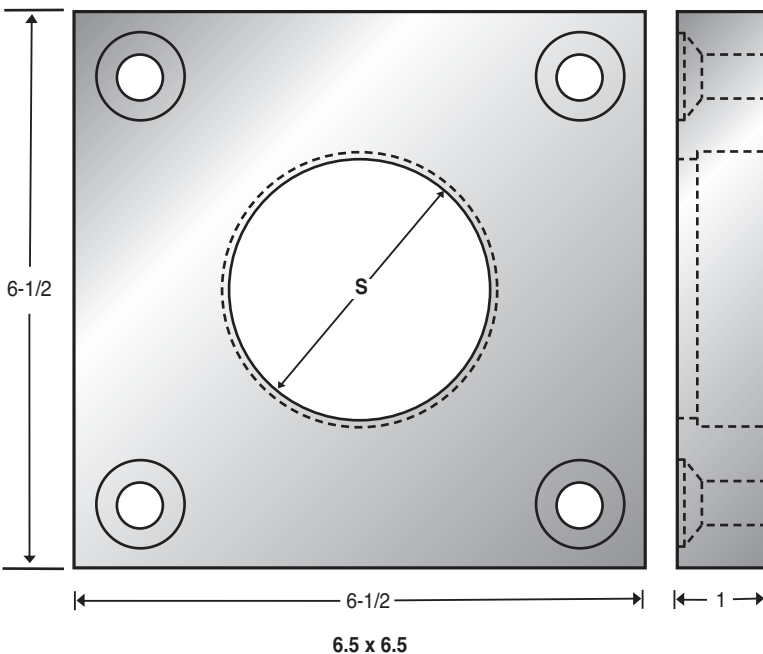
Model	Uses Punch	Uses Die
207, 314, 314C6, 314T, 424 4014C, 4014CM, 4014T, 4060B, 5014 PRO FAB 45	DVP	DVD
2450, 5024, 5075, 6012, 6509 7012, 7575, 9012, 9075, 12012 9012, 9075, 12012 FI-5009, FI-5109, FI-6008, FI-8507 DO-70, DO-100	NO. 221	No. 417
Oversize Combinations to 1-1/2" over 1-1/2"	No. 228 DVP2	No. 420 DVD2 No. 422 6.5 x 6.5

## Dies



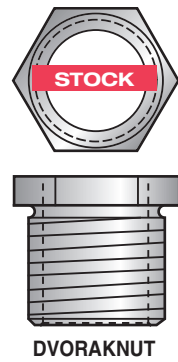
### Stock Die Sizes

ROUND DIES		OBLONG DIES	
SIZE	DVD	SIZE	DVD
9/32	●	19/32 x 1-1/32	●
5/16	●	23/32 x 1-1/32	●
11/32	●	27/32 x 1-1/32	●
3/8	●		
13/32	●		
7/16	●		
15/32	●		
1/2	●		
17/32	●		
9/16	●		
19/32	●		
5/8	●		
21/32	●		
11/16	●		
23/32	●		
3/4	●		
25/32	●		
13/16	●		
27/32	●		
7/8	●		
29/32	●		
15/16	●		
31/32	●		
1	●		
1-1/32	●		

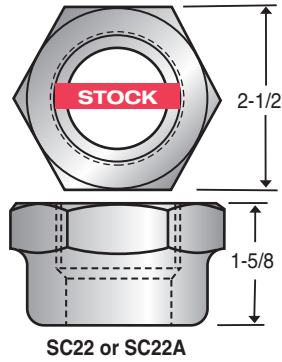


# Coupling Nuts

## Snap Ring



## Headed



## Stock Coupling Nuts

COUPLING NUT PART #	FITS PUNCH
SC22	No. 221
SC22A	No. 228
DVORAKNUT	DVP

# Flat Bar Shear Blades

