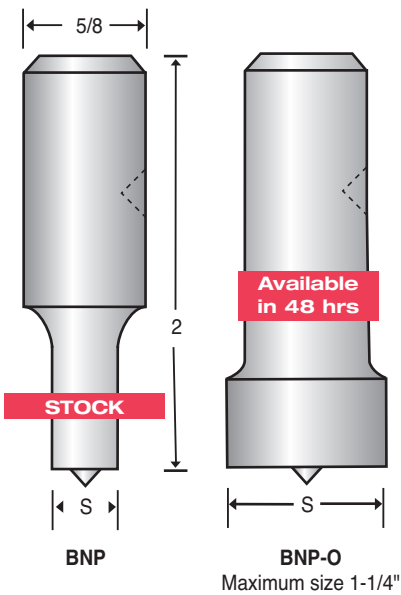


All stock items are available for **immediate shipment.**

Non-stock sizes of a round, oblong, square, hexagonal and rectangular shape of standard tooling will be **shipped within 48 hours.**

Model	Uses Punch	Uses Die
All Models	BNP, BNP-O	BND

Punches and Dies

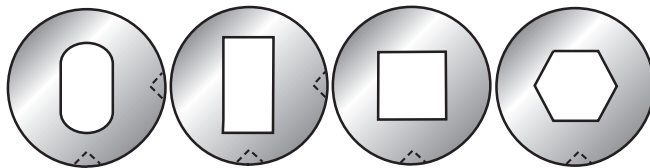
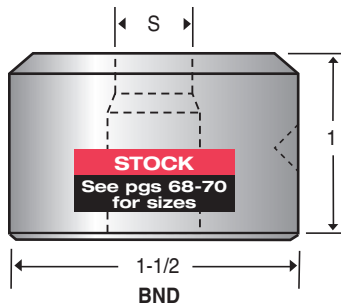


Stock Sizes Round Punches and Dies

BNP	BND
3/16	7/32
1/4	9/32
5/16	11/32
3/8	13/32
7/16	15/32
1/2	17/32
9/16	19/32

NOTE: Round oversize punches and dies up to 1-1/8" available.

NOTE: Round punches and dies are furnished with one locating spot. When ordering tooling, specify a Rogers (Lehman/Bateman) Ironworker and a locating spot will be added to shaped tooling. If no machinery is specified, locating spots will not be furnished.



Standard Locating Spot Positions for Alignment of Shaped Dies