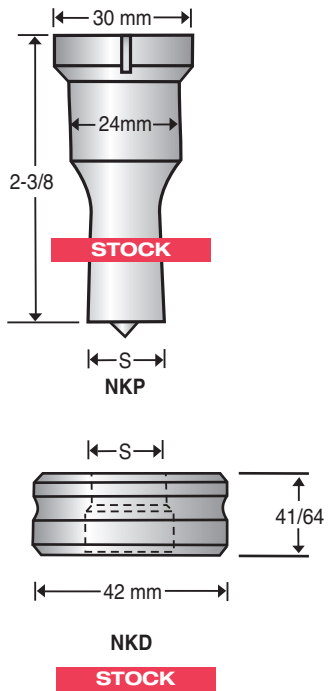


All stock items are available for **immediate shipment.**

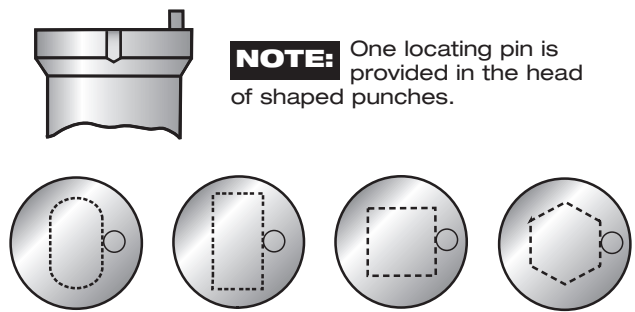
Non-stock sizes of a round, oblong, square, hexagonal and rectangular shape of standard tooling will be **shipped within 48 hours.**

**Punches and Dies**



**Stock Round Punch and Die Sizes**

NKP	NKD
5/16	11/32
3/8	13/32
7/16	15/32
1/2	17/32
9/16	19/32
5/8	21/32
11/16	23/32
3/4	25/32
13/16	27/32
7/8	29/32
15/16	31/32



**NOTE:** One locating pin is provided in the head of shaped punches.

**Miscellaneous Tooling**

